



NEW
5Te LOAD LINK

Accurate and reliable tensile load monitoring for lifting applications

Suitable for all industry sectors including Marine, Offshore and Subsea

Ideal for mobile applications and services

Retro-fit load monitoring to existing applications

Designed & Manufactured at Power Jacks in the UK



- Low Weight at Only 1.5kg
- Compact Size
- Robust high tensile design
- Wireless and Cable versions
- Fits all major shackle manufacturers
- Safety Factor of 5:1
- Accuracy <0.5% of applied load

“Absolutely love them!”

Hird Lifting

Handheld Display



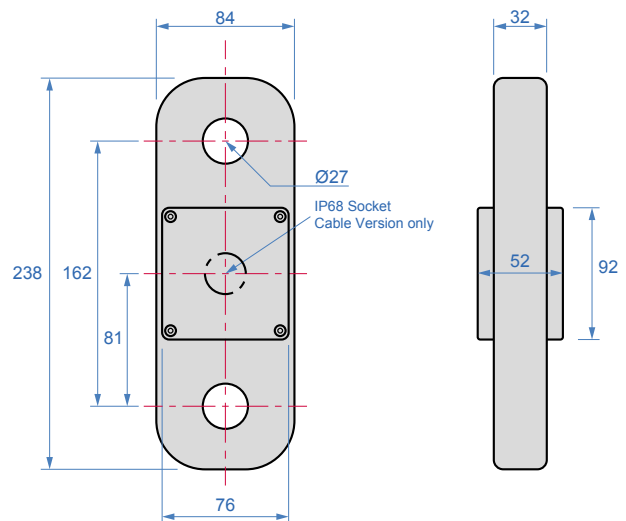
Matched IP65 wireless display with simple to use keypad, 9mm LCD display Calibrated in Tonne with kg resolution accuracy. RS232 output available on request.

Carry Case



Portable Made Easy with our robust Load Link Carry Case

Dimensions



Specification

Main Features		
Overload Tested (Proof Load)	150% Rated Load	
Minimum Breaking Load (MBL)	500% Rated Load	
Dead Load Offset	+/- 0.1mV	
Accuracy	< 0.5% of Applied Load	
Repeatability	< +/- 0.1% of applied load	
Hysteresis up to FS	Minimal	
Operating temperature	-20°C to +70°C	
Environmental Rating	IP67	
Range (Wireless Version)	200m	
Transmit rate	900ms (standard)	
Antenna (Wireless Version)	Internal	
Radio (Wireless Version)	2.4 Ghz; Worldwide Licence Free	
Cabled Version Output Signals	Analogue Signals 4-20mA in 2 or 3 wire output with 10-30VDC supply 0-5VDC or 0-10VDC 3-wire output with 10-30VDC supply Digital Signals RS232 with a protocol of your choice with 5-20VDC supply RS485 with a protocol of your choice with 5-20VDC supply	
Cable Version Connection Type	Load link with Plug-in Socket and 15m, 4-core screened PUR cable with matched plug-in connector fitted. Other types available on request.	
BatteryType/Lifespan	Load Cells	2 x AAA 1.5V batteries @ 500+hours(continuous)
	Display	2 x AA 1.5V batteries@40 hours (continuous)
Calibration	12 months (calibration service available)	
Material	Lightweight, High Tensile Grade Aluminium	
Finish	Hard Anodised for Marine Environments	
Traceability and Safety Compliance	BS EN ISO 7500-1:2004 BS 8422:2003 Loler Statutory Instrument 1998, No. 2307 Machinery Directive 2006/42/EC (SI 2008/1597)	
Shackle Compatibility (include):		
Van Beest	G-4163, P6036 Safety bow	
GN Rope	H9 & H10 Safety Bow	
Crosby	G2130, G2140	
ATEX Options		
Zone 2	Standard Options (Wireless and Cabled)	
Zone 1	Cabled Options - Consult LMS for more details	
Zone 0	Stainless Steel Construction, Cabled Options - Consult LMS for more details	

Data Logging



- Monitor up to 100 load cells simultaneously.
- Data can be transmitted to Local PC for immediate display.
- Live logging and graph display.
- Exportable to Excel.
- User can plot graph, capture peak loads and analyse data for producing reports and presentations.
- Access your data anywhere on any device via the built in web server.